

Gen5 POD EDSFF Edition Assembly Reference

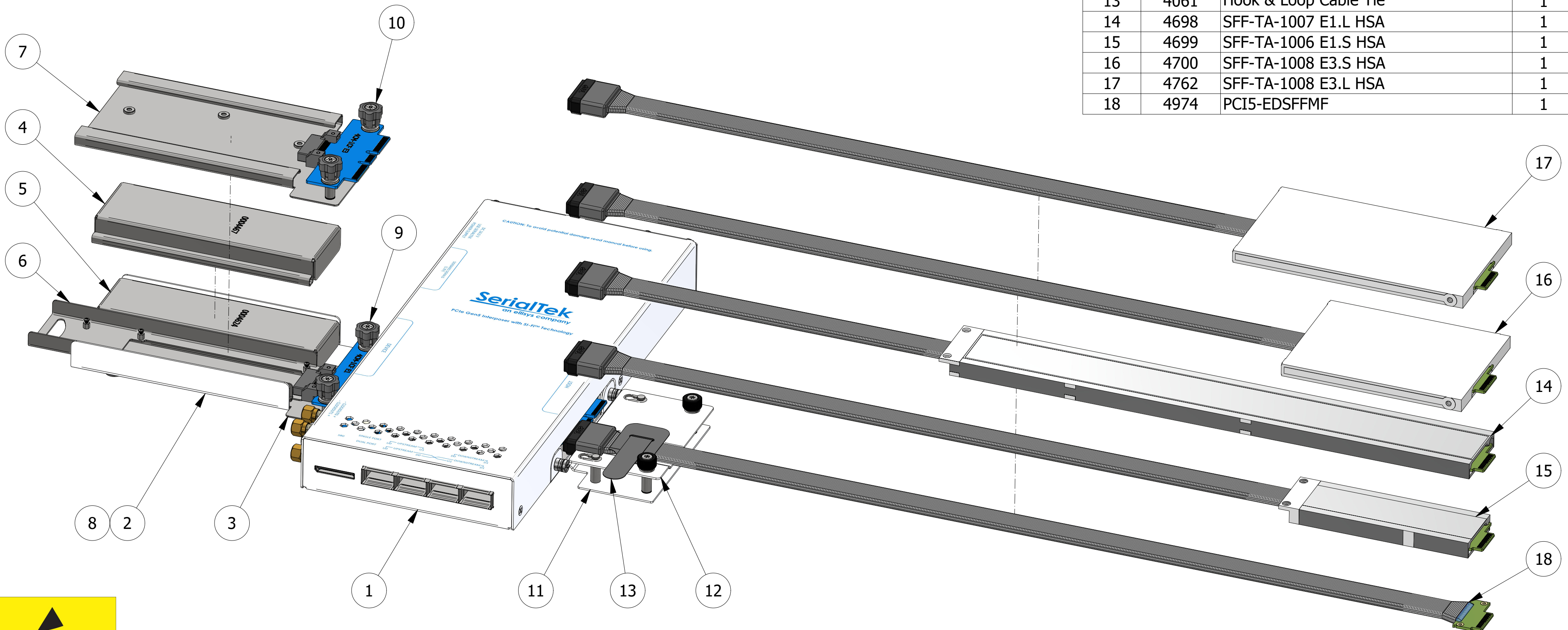


CAUTION :

Failure to do the following may DAMAGE the interposer and VOID the warranty.

- Secure adapters as shown in this guide
- Do NOT change adapters while powered
- Do NOT hot plug
- Turn on interposer power BEFORE host power

| Item | Part Number | Part Description | Qty |
|------|-------------|------------------------------------|-----|
| 1 | 4631 | POD Main Unit | 1 |
| 2 | 4687 | EDSFF Device Adaptor Base Tray | 1 |
| 3 | 4466 | SFF-TA-1006/7 Spacer Base Assembly | 1 |
| 4 | 4702 | SFF-TA-1006 Cased Spacer | 1 |
| 5 | 4703 | SFF-TA-1007 Uncased Spacer | 1 |
| 6 | 4697 | SFF-TA-1006 Uncased Tray | 1 |
| 7 | 4464 | SFF-TA-1008 Spacer Base | 1 |
| 8 | 3736 | M3x4mm Black Flat Head Screw | 3 |
| 9 | 4991 | 4CM - 1CF E1 Device PCBA | 1 |
| 10 | 4992 | 4CM - 1CF E3 Device PCBA | 1 |
| 11 | 4679 | Host/Device Cable Adaptor Tray | 1 |
| 12 | 3972 | HCBL-EDSFF Support Tray | 1 |
| 13 | 4061 | Hook & Loop Cable Tie | 1 |
| 14 | 4698 | SFF-TA-1007 E1.L HSA | 1 |
| 15 | 4699 | SFF-TA-1006 E1.S HSA | 1 |
| 16 | 4700 | SFF-TA-1008 E3.S HSA | 1 |
| 17 | 4762 | SFF-TA-1008 E3.L HSA | 1 |
| 18 | 4974 | PCI5-EDSFFMF | 1 |



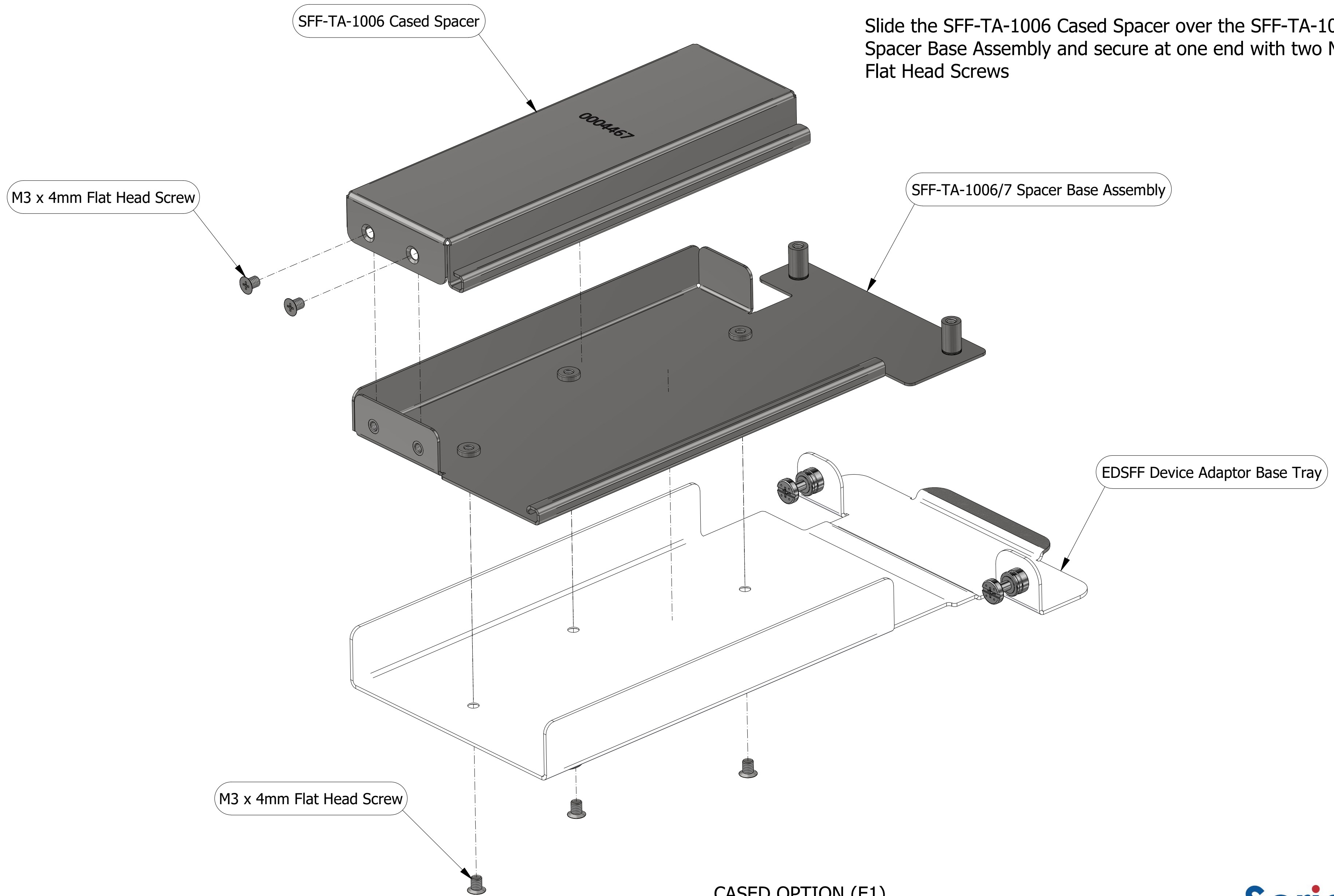
EDSFF Variations



Gen5 POD EDSFF Edition Assembly Reference

Fix the SFF-TA-1006/7 Spacer Base Assembly to the EDSFF Device Adaptor Base Tray using three M3 x 4mm Flat Head screws.

Slide the SFF-TA-1006 Cased Spacer over the SFF-TA-1006/7 Spacer Base Assembly and secure at one end with two M3 x 4mm Flat Head Screws



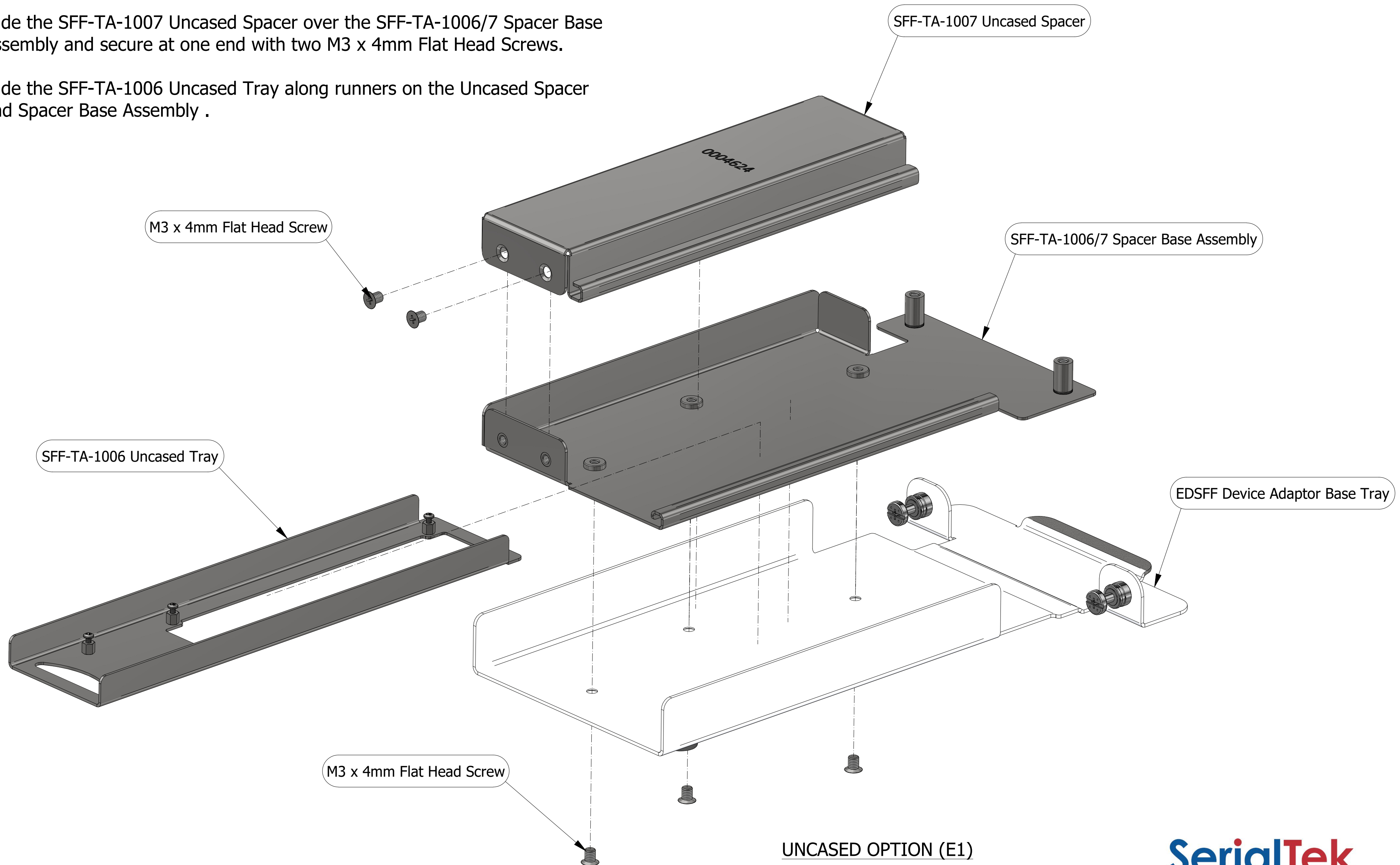
CASED OPTION (E1)

Gen5 POD EDSFF Edition Assembly Reference

Fix the SFF-TA-1006/7 Spacer Base Assembly to the EDSFF Device Adaptor Base Tray using three M3 x 4mm Flat Head screws.

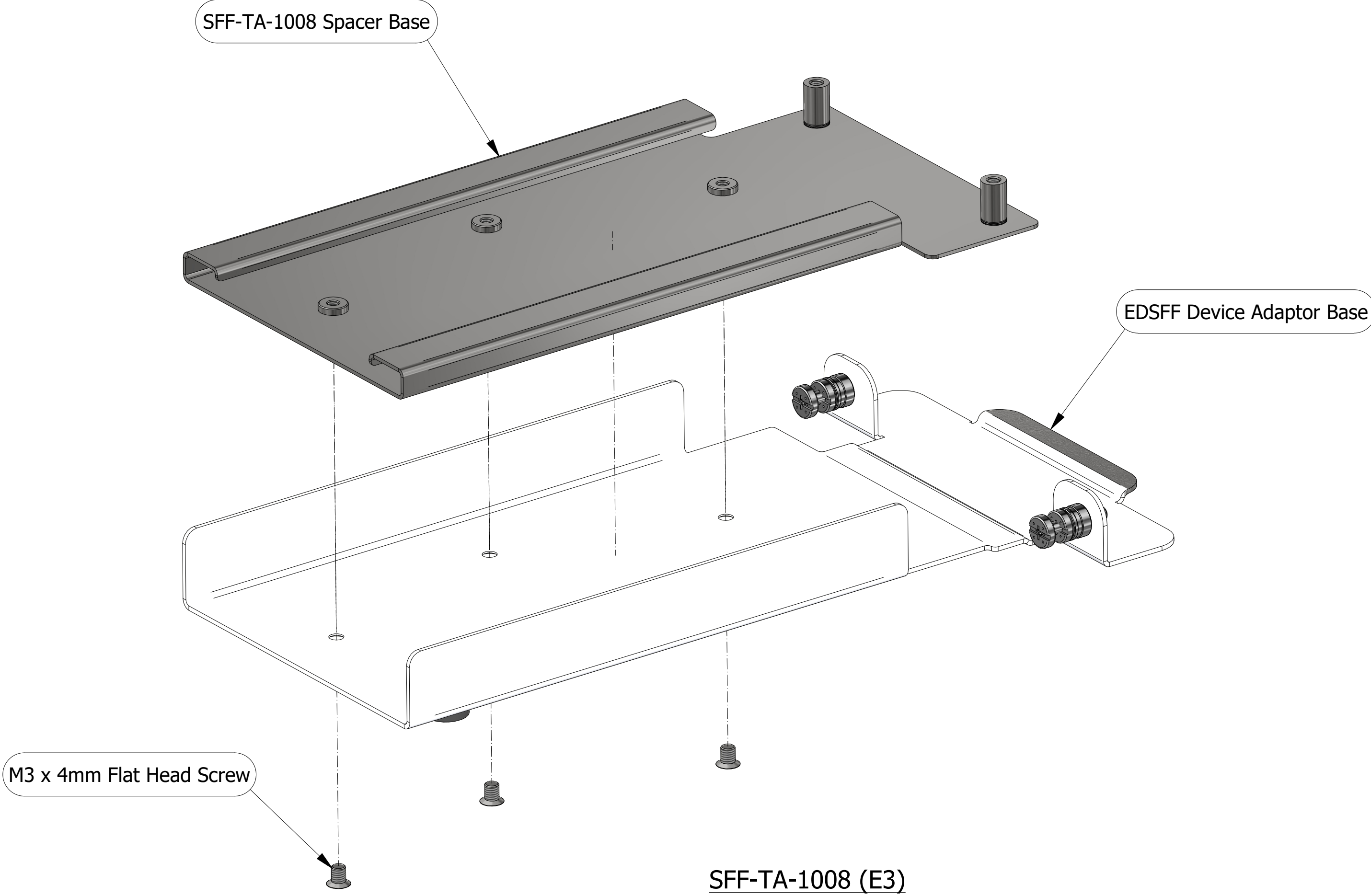
Slide the SFF-TA-1007 Uncased Spacer over the SFF-TA-1006/7 Spacer Base Assembly and secure at one end with two M3 x 4mm Flat Head Screws.

Slide the SFF-TA-1006 Uncased Tray along runners on the Uncased Spacer and Spacer Base Assembly .



Gen5 POD EDSFF Edition Assembly Reference

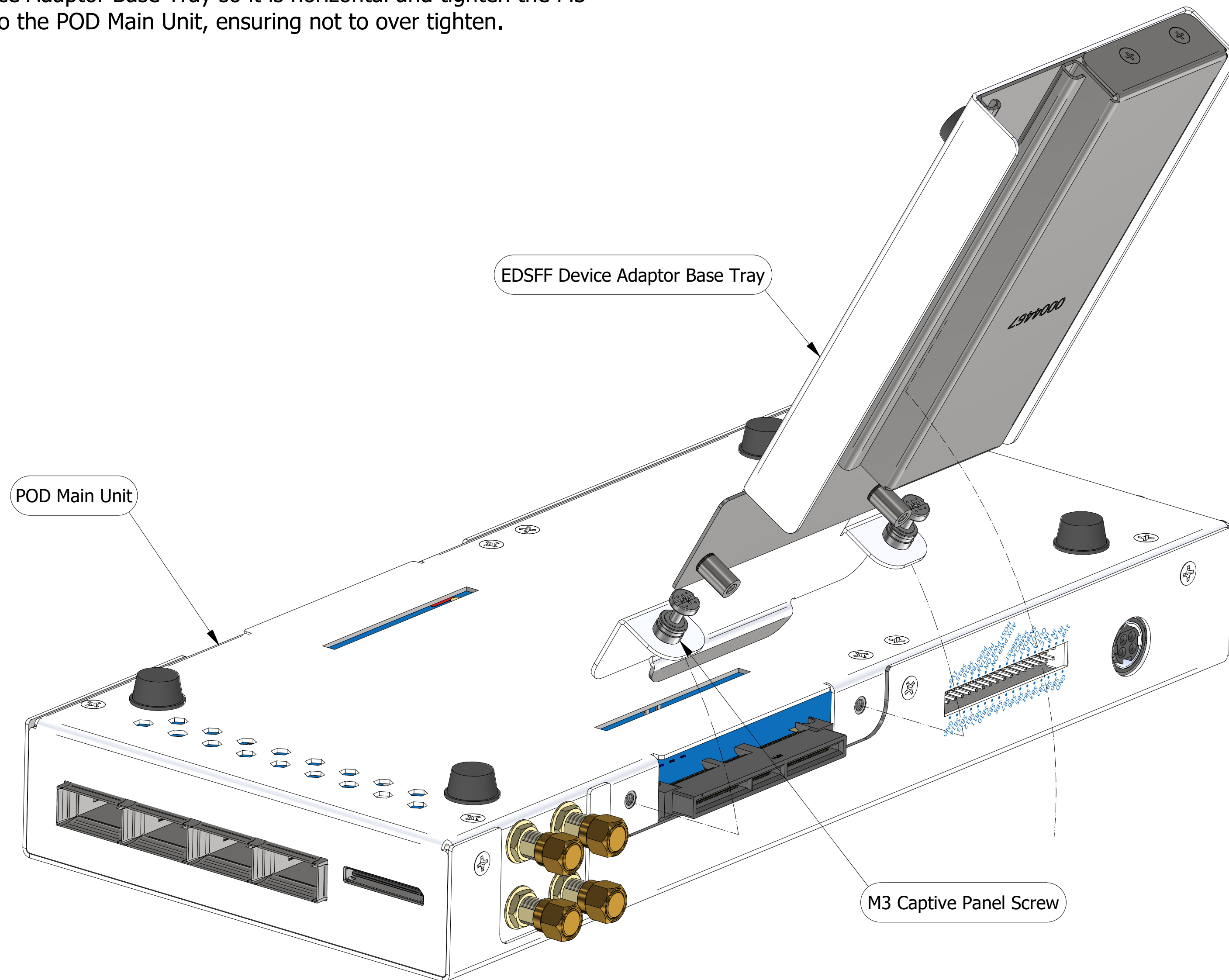
Fix the SFF-TA-1008 Spacer Base to the EDSFF Device Adaptor Base Tray using three M3 x 4mm Flat Head screws



Gen5 POD EDSFF Edition Assembly Reference

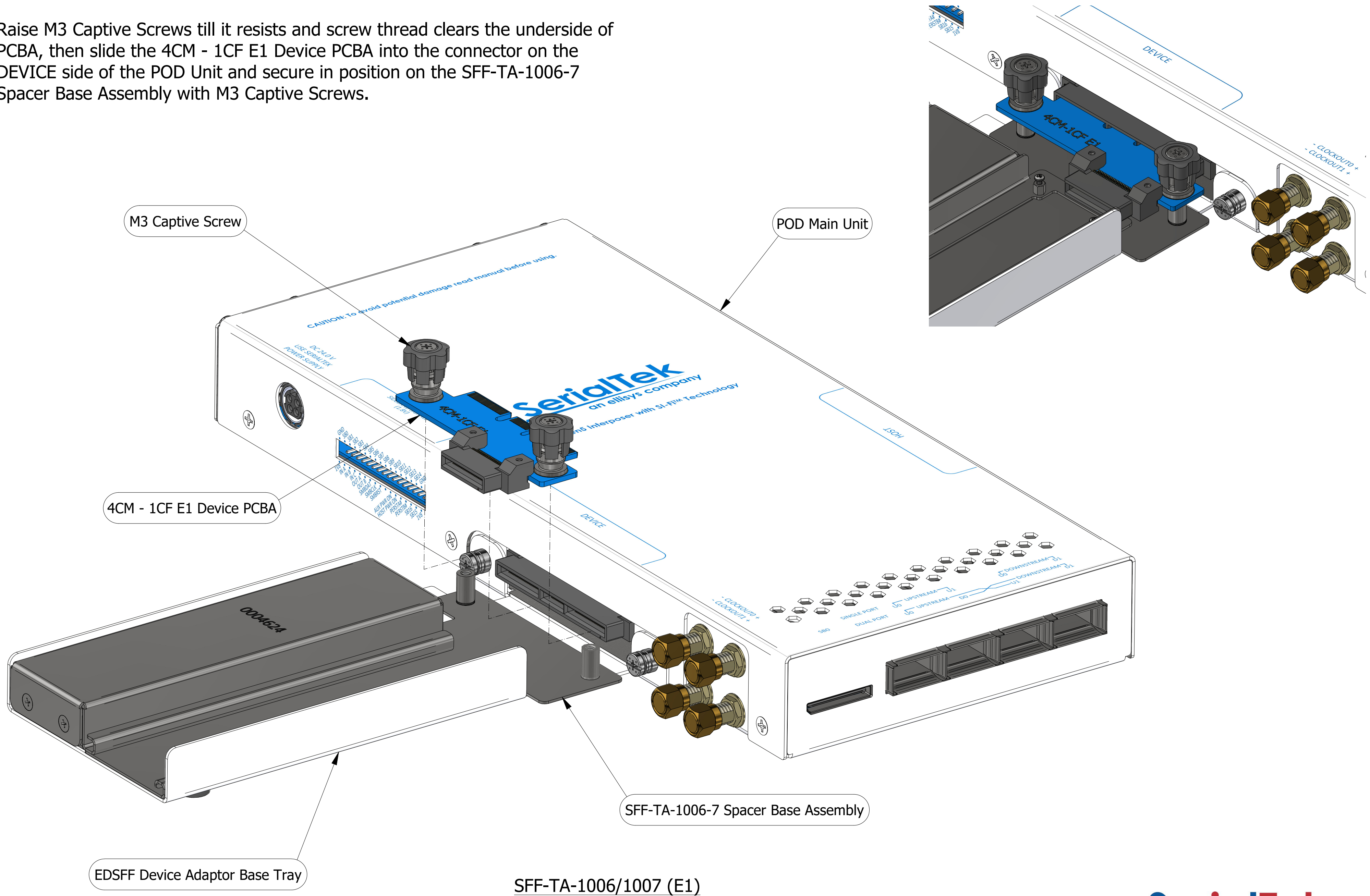
Slide the EDSFF Device Adaptor Base Tray into the slot on the DEVICE side on the underside of the POD Main Unit at an angle of about 60°.

Rotate the EDSFF Device Adaptor Base Tray so it is horizontal and tighten the M3 Captive Panel Screws to the POD Main Unit, ensuring not to over tighten.



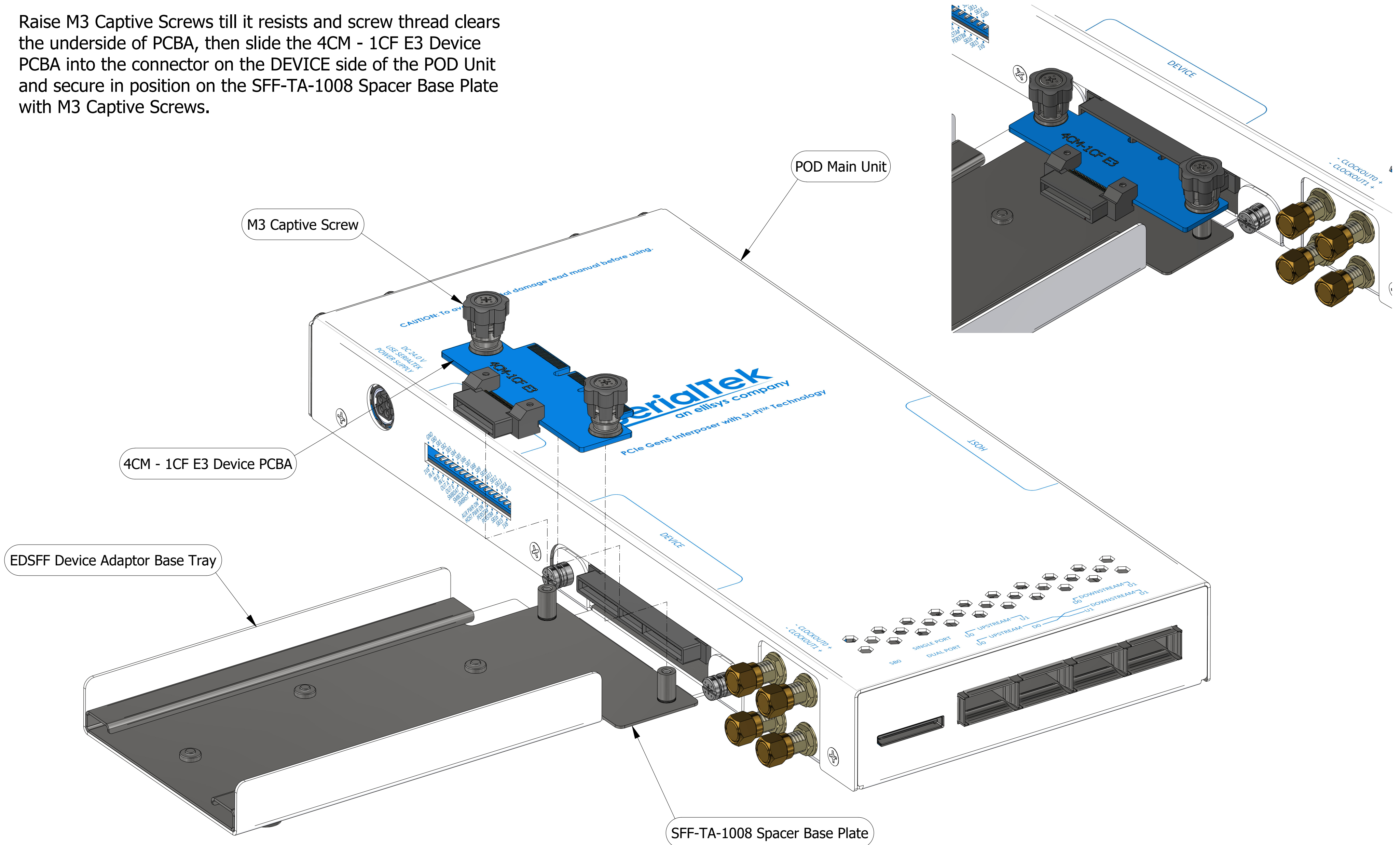
Gen5 POD EDSFF Edition Assembly Reference

Raise M3 Captive Screws till it resists and screw thread clears the underside of PCBA, then slide the 4CM - 1CF E1 Device PCBA into the connector on the DEVICE side of the POD Unit and secure in position on the SFF-TA-1006-7 Spacer Base Assembly with M3 Captive Screws.



Gen5 POD EDSFF Edition Assembly Reference

Raise M3 Captive Screws till it resists and screw thread clears the underside of PCBA, then slide the 4CM - 1CF E3 Device PCBA into the connector on the DEVICE side of the POD Unit and secure in position on the SFF-TA-1008 Spacer Base Plate with M3 Captive Screws.

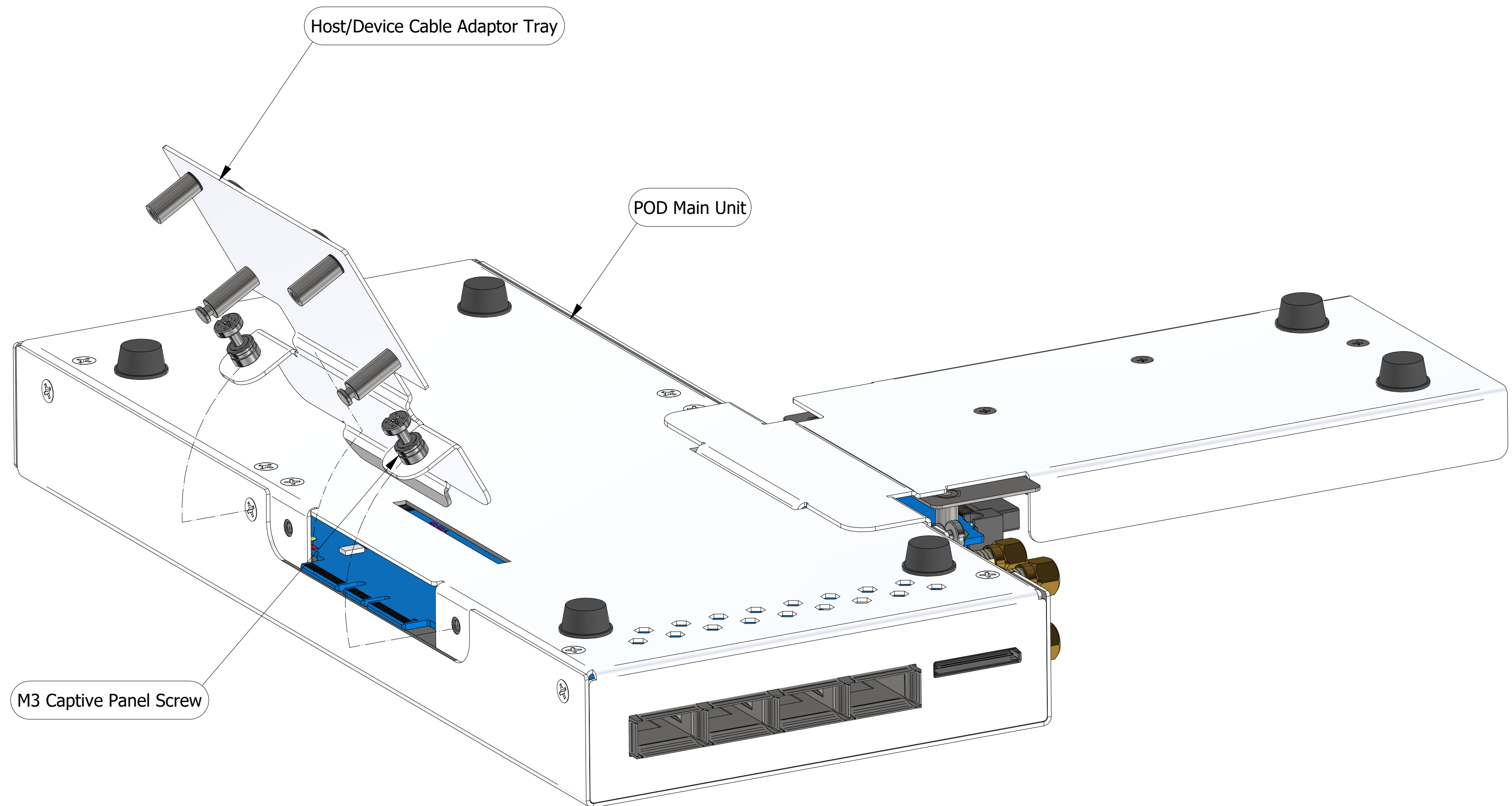


SFF-TA-1008 (E3)

Gen5 POD EDSFF Edition Assembly Reference

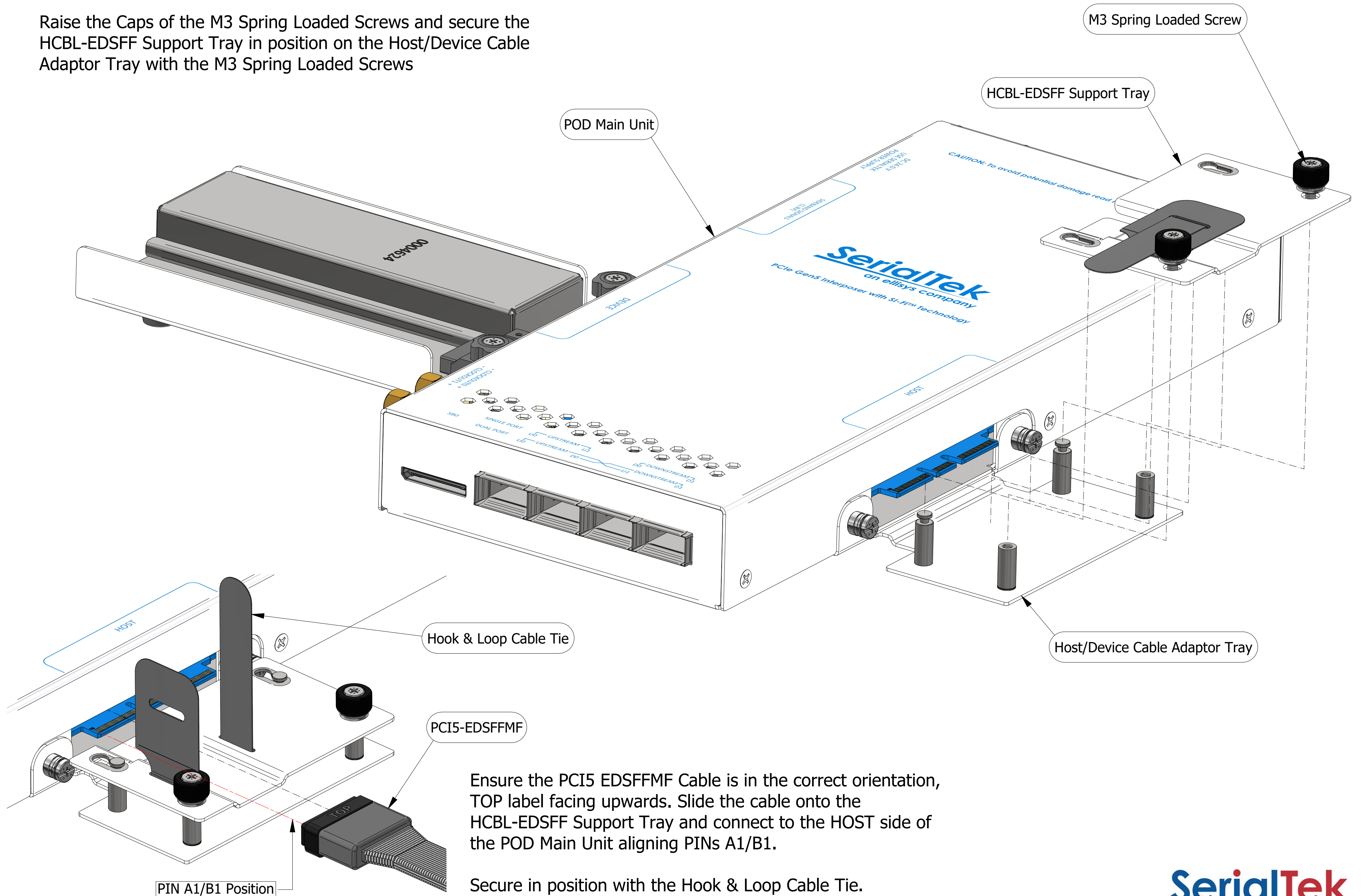
Slide the Host/Device Cable Adaptor Tray into the slot on the HOST side on the underside of the POD Main Unit at an angle of about 60°.

Rotate the Cable Adaptor Tray so it is horizontal and tighten the M3 Captive Panel Screws to the POD Main Unit, ensuring not to over tighten.



Gen5 POD EDSFF Edition Assembly Reference

Raise the Caps of the M3 Spring Loaded Screws and secure the HCBL-EDSFF Support Tray in position on the Host/Device Cable Adaptor Tray with the M3 Spring Loaded Screws



Ensure the PCI5 EDSFFMF Cable is in the correct orientation, TOP label facing upwards. Slide the cable onto the HCBL-EDSFF Support Tray and connect to the HOST side of the POD Main Unit aligning PINs A1/B1.

Secure in position with the Hook & Loop Cable Tie.